

Introducing the ... **WR10**
Air-Operated Double Diaphragm Pump

APPLICATIONS:

Car Wash Chemicals

Wash Solutions

Dispensing of:

Pigments

Inks

Paints

Additives

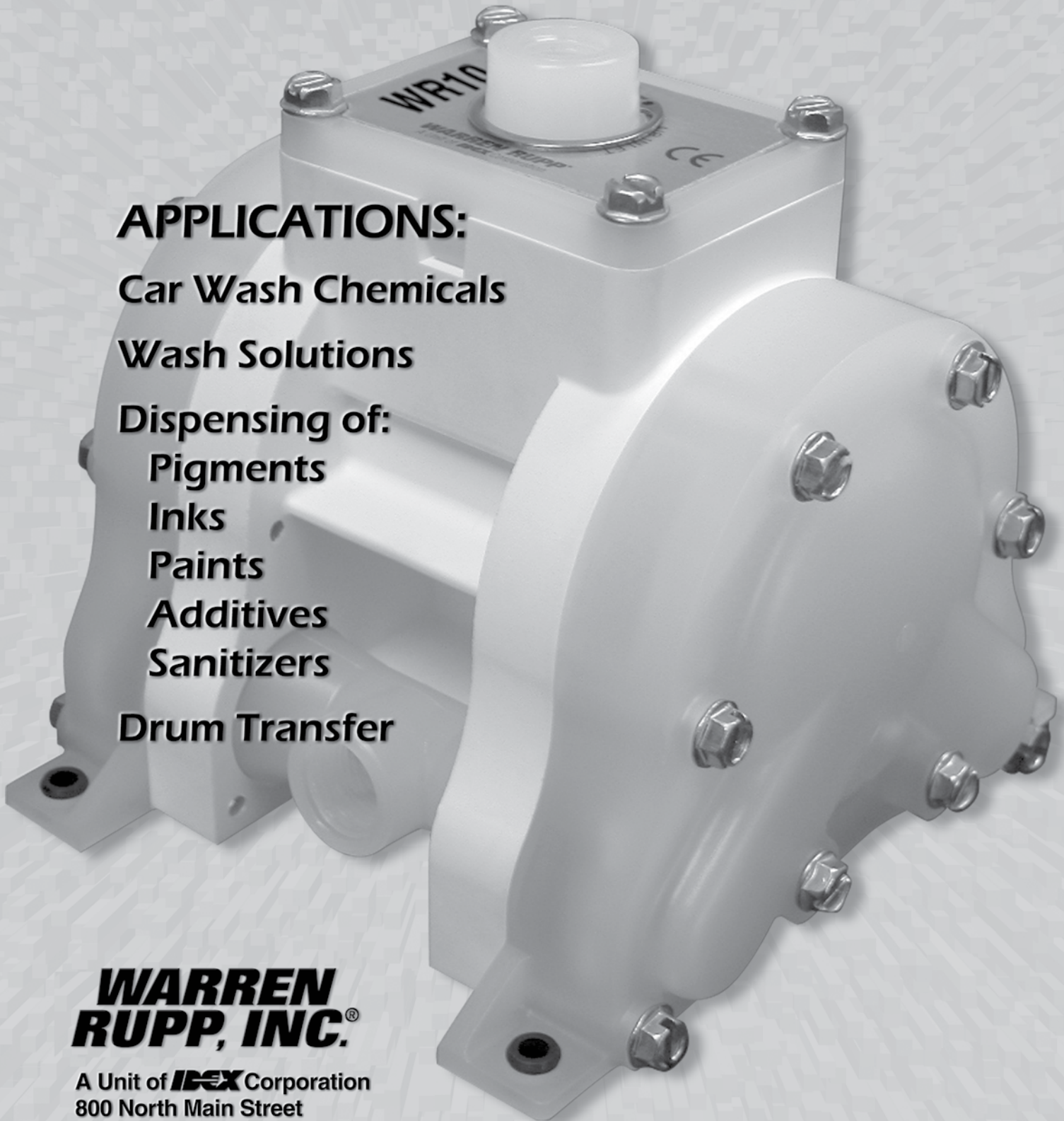
Sanitizers

Drum Transfer

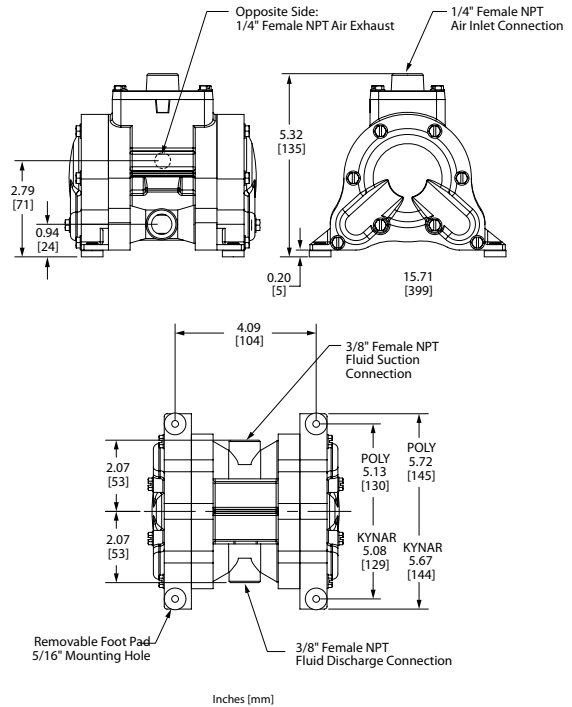
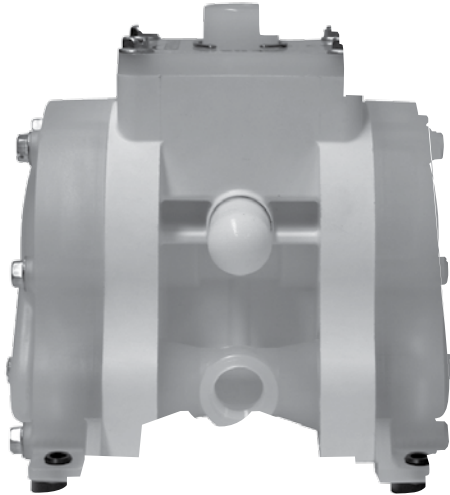
**WARREN
RUPP, INC.®**

A Unit of **IBEX** Corporation
800 North Main Street
Mansfield, OH 44902 USA
419-524-8388 • Fax: 419-522-7867

www.warrenrupp.com



WR10 3/8" AODD Pump



BENEFITS:

- Flows to 5 GPM (19 LPM)
- Multiple mounting positions
- Similar envelope dimensions to a standard 1/4" pump, but almost double the flow rate
- Cost competitive
- Size ideal for OEM applications
- Dependable operation

Various Mounting Options



Ceiling mount

Wall mount

CAUTION: Nonmetallic pumps and plastic components are not UV stabilized. Ultraviolet radiation can damage these parts and negatively affect material properties. Do not expose to UV light for extended periods of time.

**WARREN
RUPP, INC.®**

WR10 SPECIFICATIONS		
Shipping wt.	3 lbs.	1.36 kg
Max. pressure	100 psi	6.9 bar
Min. pressure	15 psi	1 bar
Max. particle size	1/16"	1.5 mm
Suction lift (dry)	8 ft.	2.44 m
Air inlet	1/4" NPT (f)/BSP	
Materials: Polypropylene body with Santoprene elastomers; Polypropylene body with PTFE elastomers; Kynar body with Santoprene elastomers; Kynar body with PTFE elastomers		

